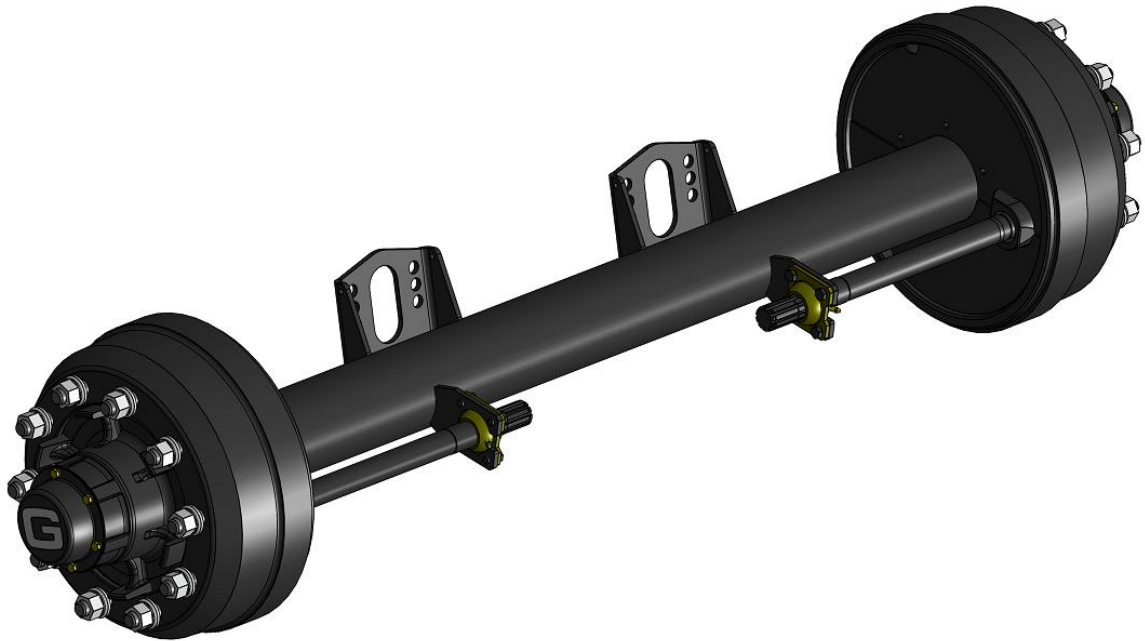


## 406 X 120 – 860 SERIES AXLE



**860 series axle is TUV tested to 10,000Kg, please see website for test report.**

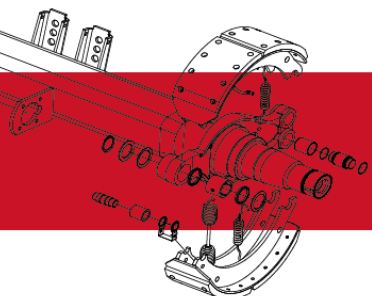
**335mm PCD 10 stud M22 hub and drum. 281mm hub pilot.**

**Available in single and twin wheel stud.**

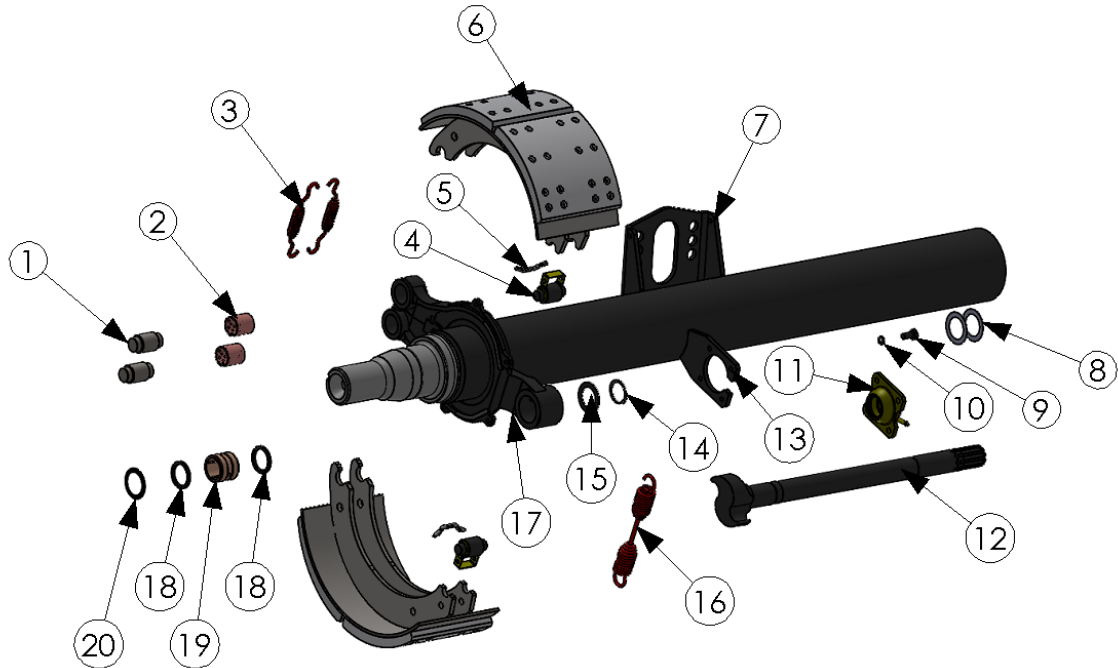
**10 spline camshaft, 127mm Round and 120mm Square Beam.**

**Service manual available on website**

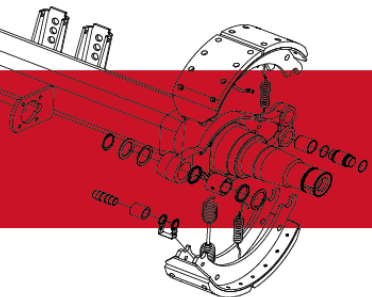
**Please see following pages for part identification**



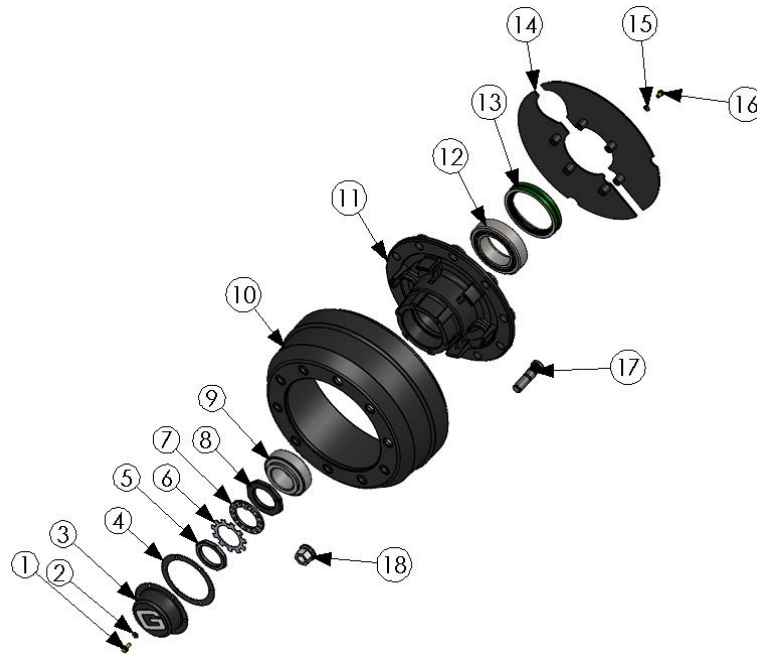
## 406 x 120 – 860 Series Quick Fit Brake Assembly



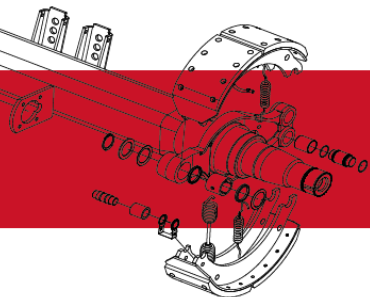
Item	Description	Part No.	QTY per Axle	Kit Name
1	Anchor Pin	61171	4	AK300
2	Bush Anchor Pin	61200B	4	AK300
3	Brake Shoe Retaining Spring	61141	4	AK300
	<b>Brake Shoe Assembly</b>	61159FA	4	
(4)	Retainer Cam Roller	61235	(4)	AK300
	Retainer Cam Roller Retainer	61220	(4)	AK300
(5)	Spring Anchor Bar	61150	(4)	AK300
(6)	Brake Shoe (FWE11)	61159F	(4)	
7	Air Chamber Bracket (Round Beam)	61041F	2	
	Air Chamber Bracket (120mm Square)	61047	2	
8	Camshaft Support Washer	96365F	4	AK200
9	M10 x 20 Screw	61359	8	AK200
10	Serrated Washer	96363F	8	AK200
	Spring Washer	96364F	8	AK200
11	Spherical Bearing	61080F	2	AK200
	Spherical Bearing Grease Nipple ¼" 28UNF	61107	2	AK200
12	Axle Camshaft		2	
13	Camshaft Support Bracket (Round Beam)	61050F	2	
	Camshaft Support Bracket (120mm Square)	61040	2	
14	Circlip	61120	2	AK200
15	Support Washer Camshaft	61058	2	AK200
16	Brake Return Spring	61140	2	AK300
17	Anchor Bracket Grease Nipple 1/8 NPT 45°	61110	2	
18	Camshaft Grease Seal	61056	4	AK200
19	Camshaft Sintered Bush	61055	2	AK200
20	Beveled Washer	61057	2	AK200



## 406 X 120 – 860 Series Hub/Drum Assembly



Item	Description	Part No.	QTY per Axle	Kit Name
1	Screw M8 x 16 Fl. Head	61358F	12	AK102
2	M8 Serrated Washer	96366F	12	AK102
3	Hub Cap Pressing "G"	61322	2	AK102
4	Gasket	61330F	2	AK102
5	Locknut	61310	2	AK100
6	Tab Washer	61311	2	AK100
7	Lock Washer	61300	2	AK100
8	Adjusting Nut	61290	2	AK100
9	Outer Bearing	61270F	2	61287/8F
10	Brake Drum 10 Stud	61550F	2	61287/8F
11	Hub Spigot 10 Stud	61253F	2	61287/8F
12	Inner Bearing	61260F	2	61287/8F
13	Unitised Grease Seal	61282F	2	61287/8F
14	Dust Cover (Round Beam)	61399	2	
	Dust Cover (Square Beam)	61396	2	
15	M8 Serrated Washer	96366F	12	
16	M8x16mm Bolt	61358F	12	
17	Wheel Bolt M22 ISO (Twin)	61386F	20	61288F
	Wheel Bolt M22 ISO (Single)	61388F	20	61287F
18	ISO Wheel Nut M22	61381Z	20	61287/8F
	DIN Wheel Nut M22	61383	20	
	DIN Wheel Nut M22	61411	20	
	DIN Nut Outer Washer	61372	20	
	DIN Nut Inner Washer	61371	20	

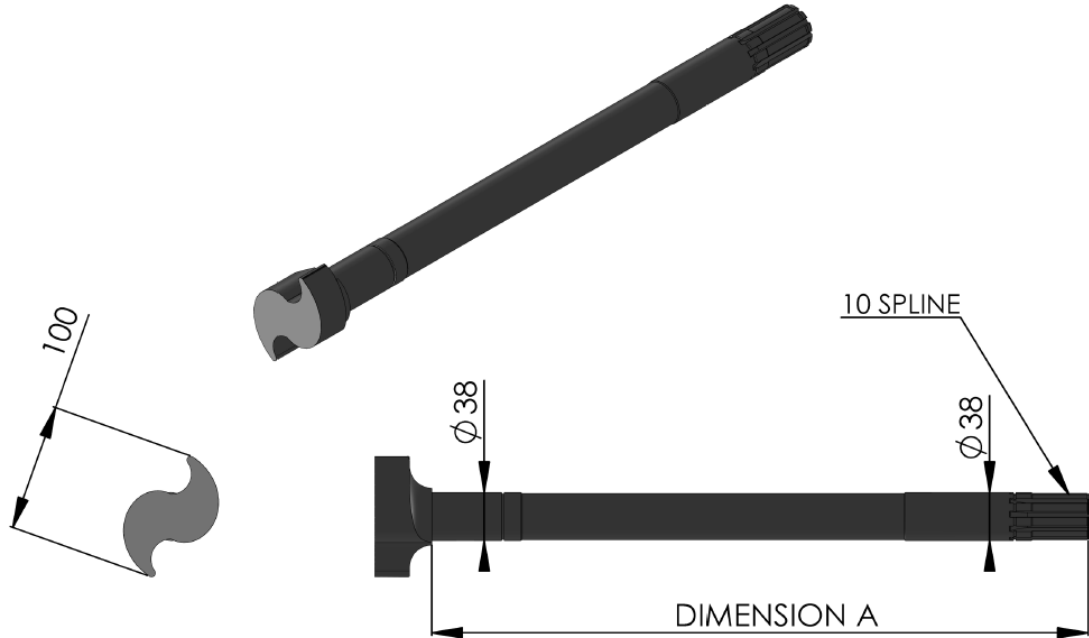




# granning

axle and suspension solutions

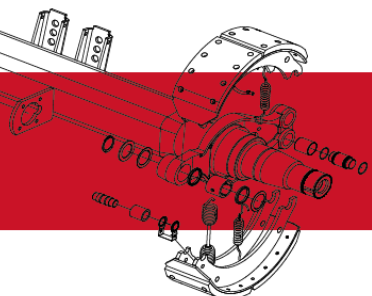
## 406 x 120 – 860 Series Camshaft Parts List



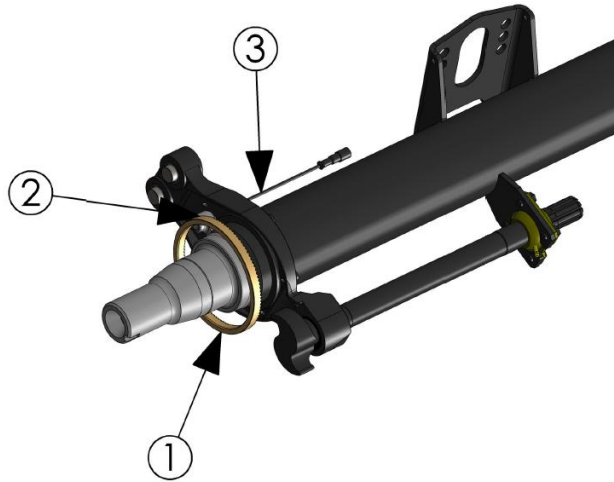
Item	Description (DIM A)	Part No.
1	Left Hand Large Head (189mm)	61127
2	Right Hand Large Head (189mm)	61147
3	Left Hand Large Head (212mm)	61061
4	Right Hand Large Head (212mm)	61071
5	Left Hand Large Head (250mm)	61138
6	Right Hand Large Head (250mm)	61148
7	Left Hand Large Head (519mm)	61065
8	Right Hand Large Head (519mm)	61075
9	Left Hand Large Head (618mm)	61067
10	Right Hand Large Head (618mm)	61077
11	Left Hand Large Head (680mm)	61151
12	Right Hand Large Head (680mm)	61152

Camshaft lengths are measured from under head to the center of last circlip groove.

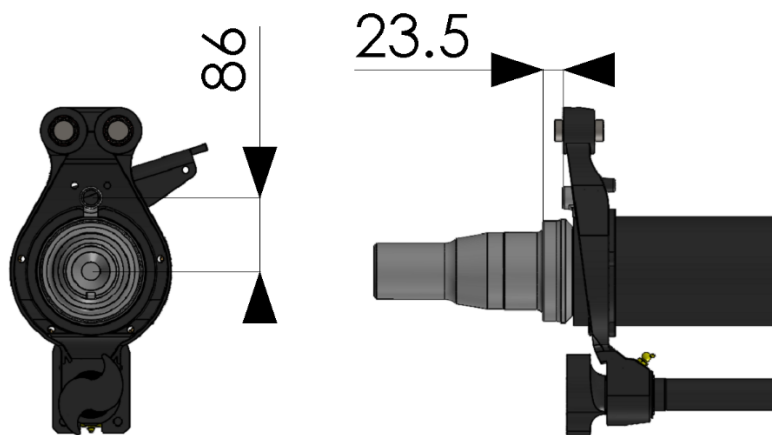
The illustrated camshaft is a right-hand camshaft. When looking at the head of the camshaft a right-hand cam is Z shaped and a left hand is S shaped



## 406 x 120 – 860 Series ABS/Anti-Lock Assembly



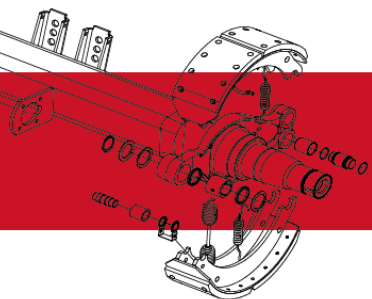
Item	Description	Part No.
1	Pole Wheel	61789
2	ABS Sensor Block	61781
3	ABS Sensor Bush	61792
4	Straight ABS Sensor Lead	61791



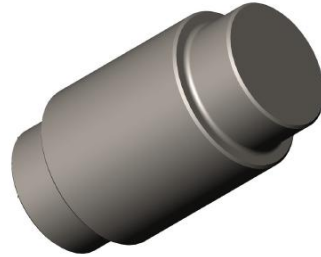
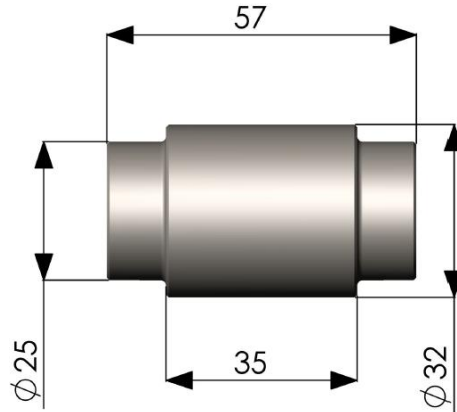
Pole wheel at 172mm PCD

Face of sensor block 23.5mm from large bearing shoulder

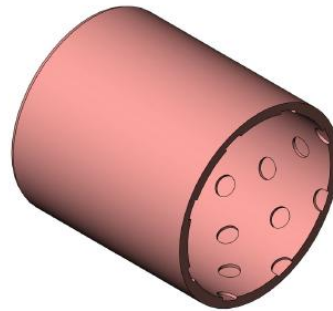
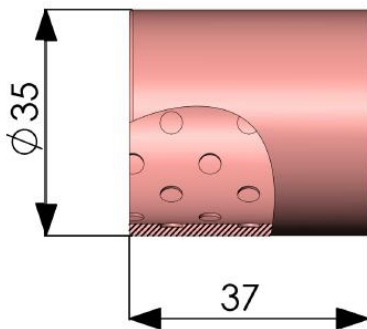
Weld on ABS block is 180 degrees to camshaft and is in line with hole in anchor bracket.



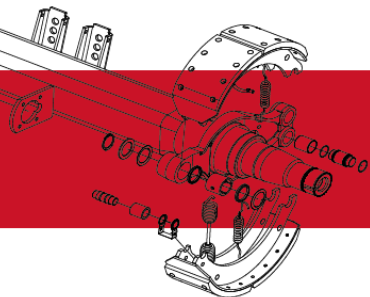
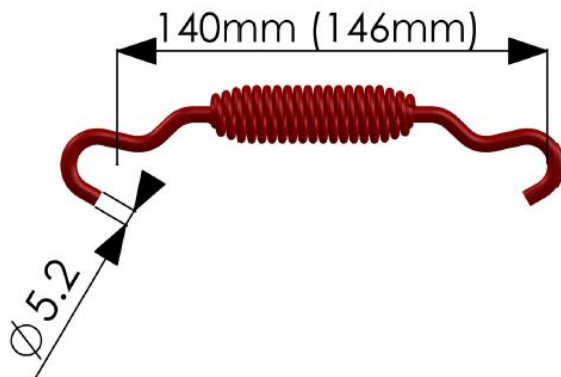
**61171 – Anchor pin**



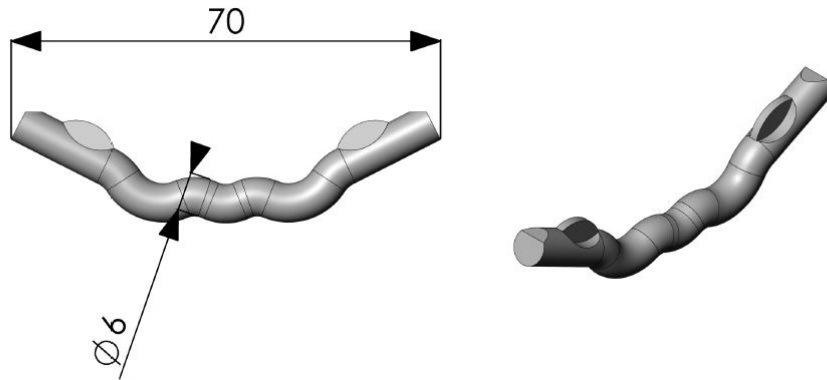
**61200B – Bush Anchor Pin**



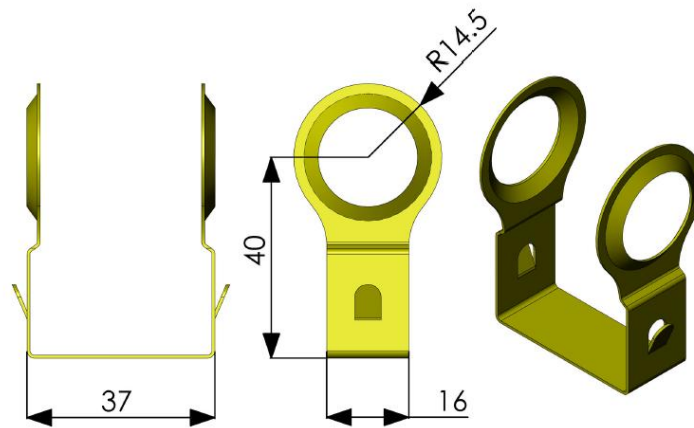
**61141 – Brake Shoe Retaining Spring**



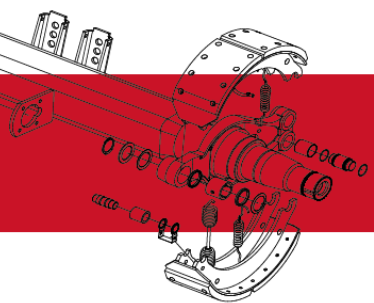
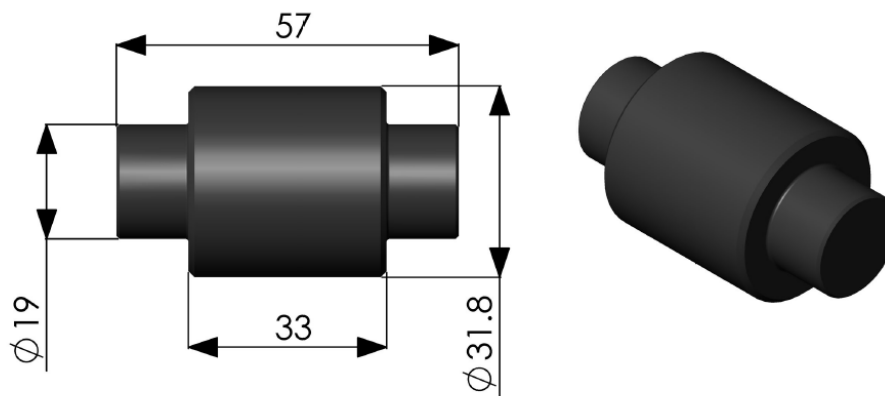
**61150 – Spring Anchor Bar**



**61220 – Retainer Cam Roller**



**61235 – One Piece Cam Roller**

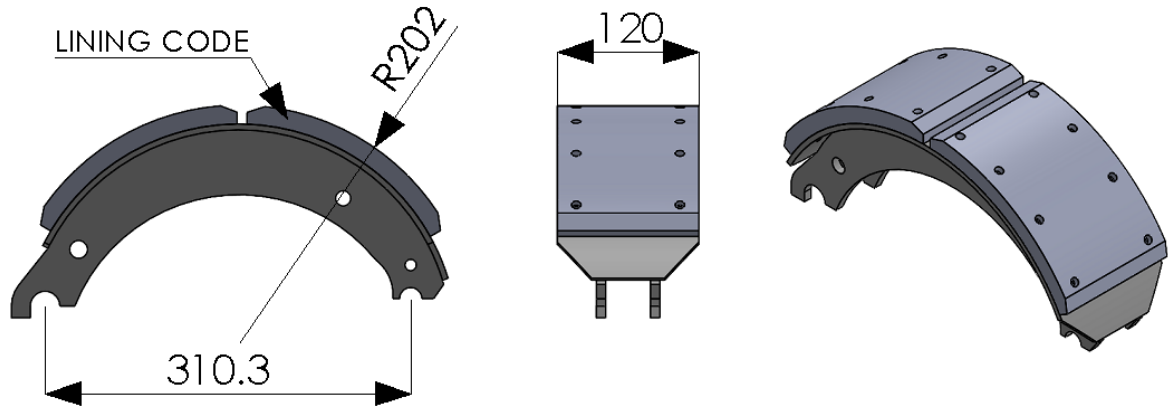




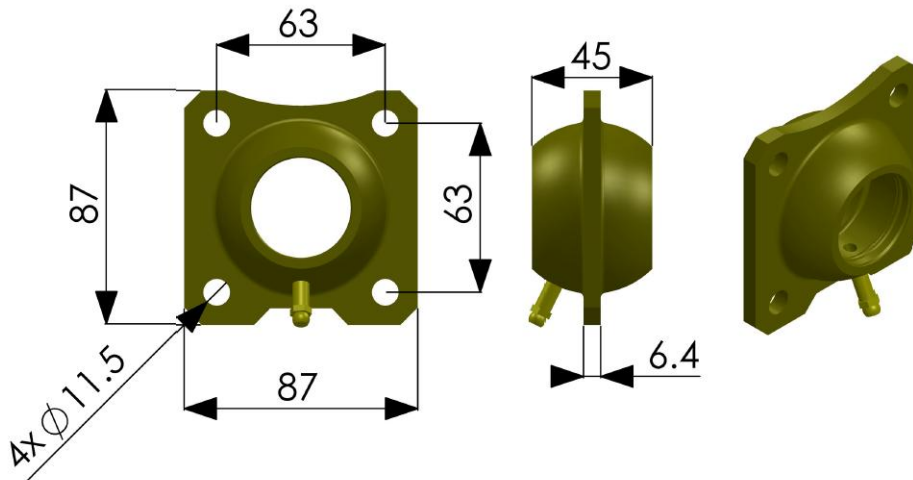
# granning

axle and suspension solutions

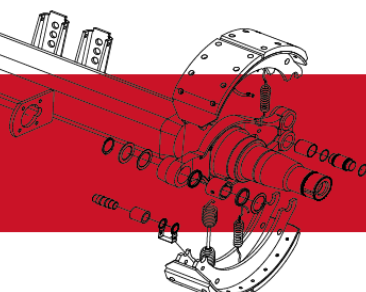
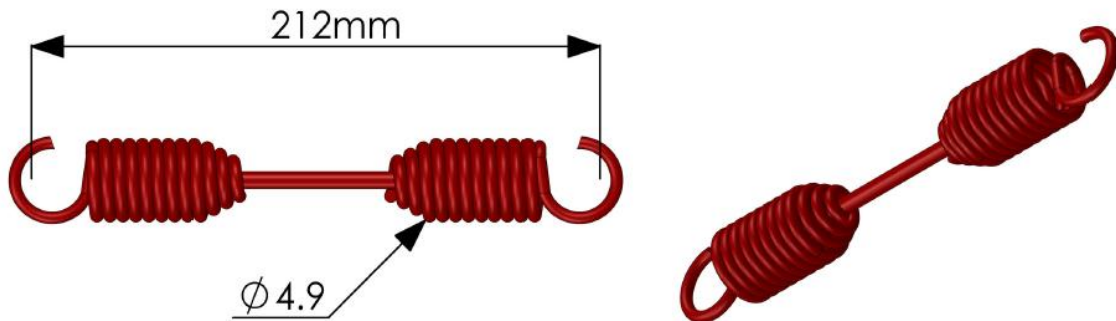
## 61159FA – Brake shoe with spring anchor bar and cam roller (FWE11)



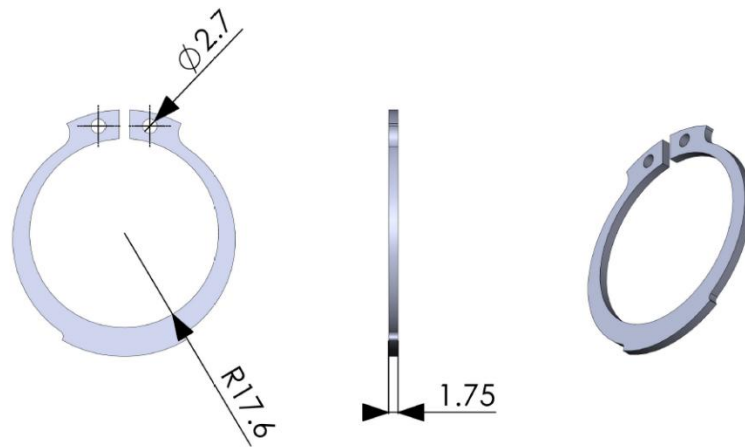
## 61080F – Camshaft Spherical Bearing



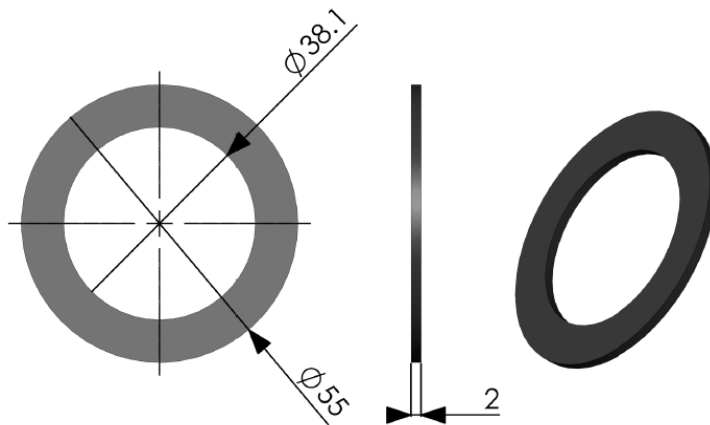
## 61140 – Spring Return



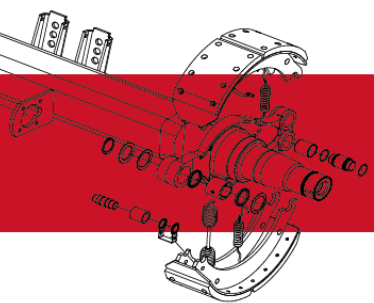
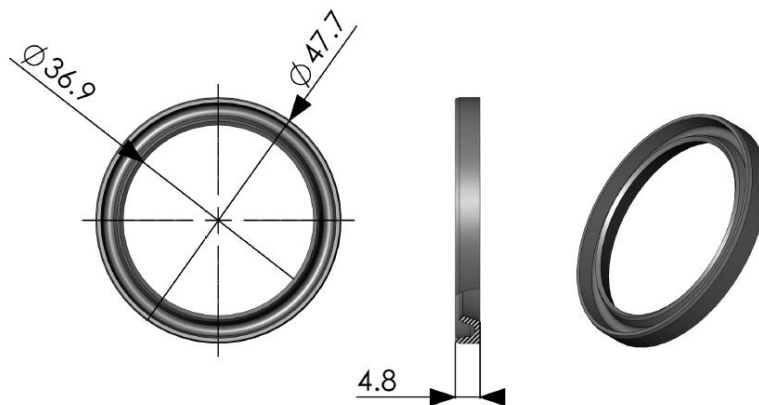
**61120 – Circlip**



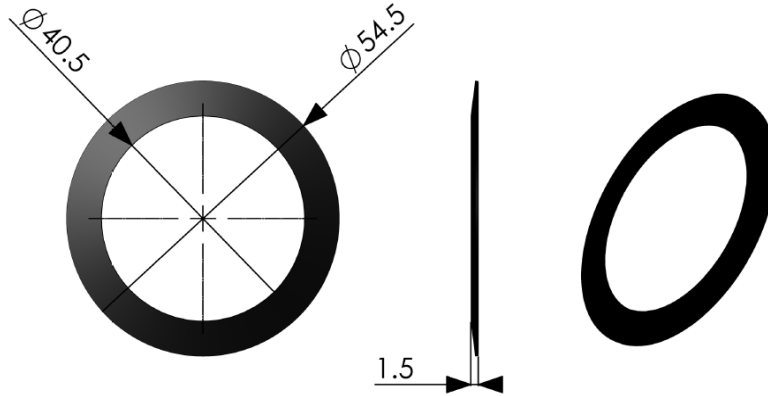
**61058 – Camshaft Support Washer**



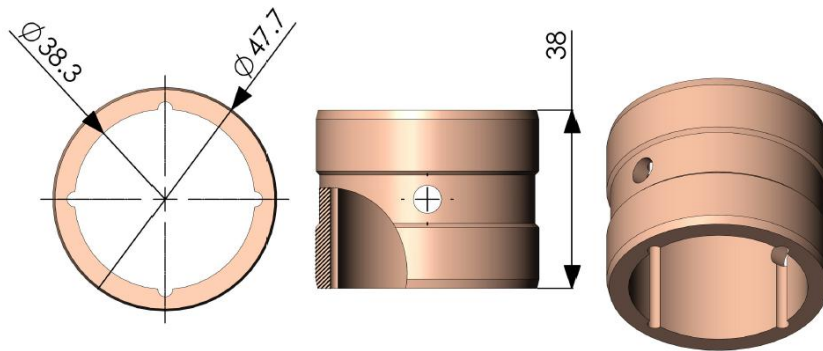
**61056 – Camshaft Grease Seal**



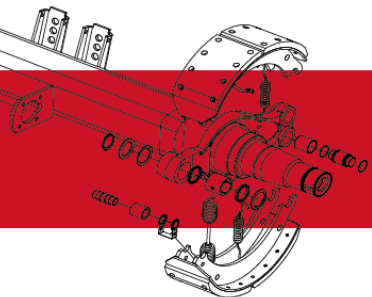
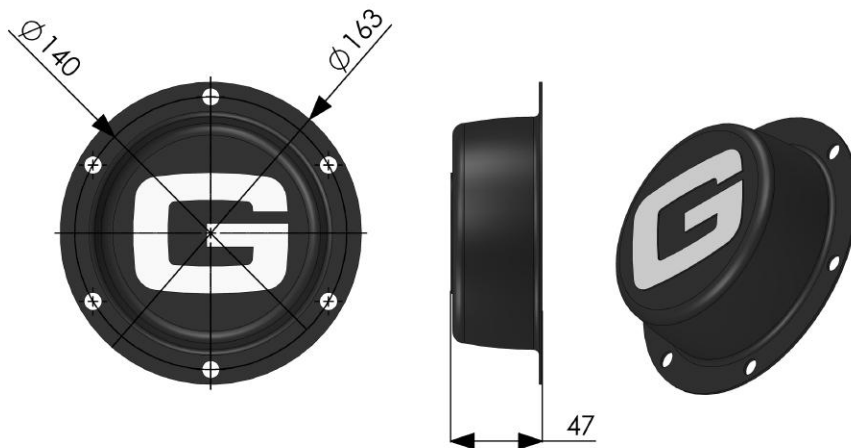
**61057 – Camshaft Beveled Washer**



**61055 – Camshaft Sintered Bush**



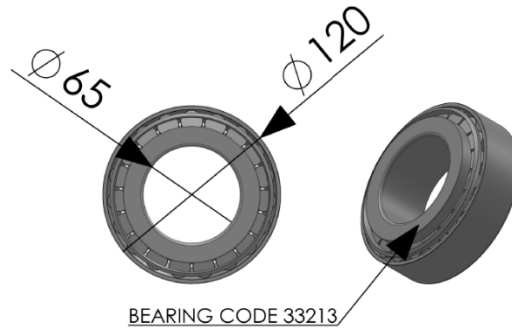
**61322 – G Hub Cap Pressing**



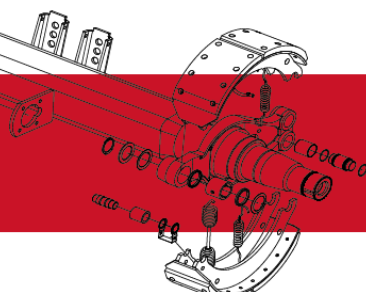
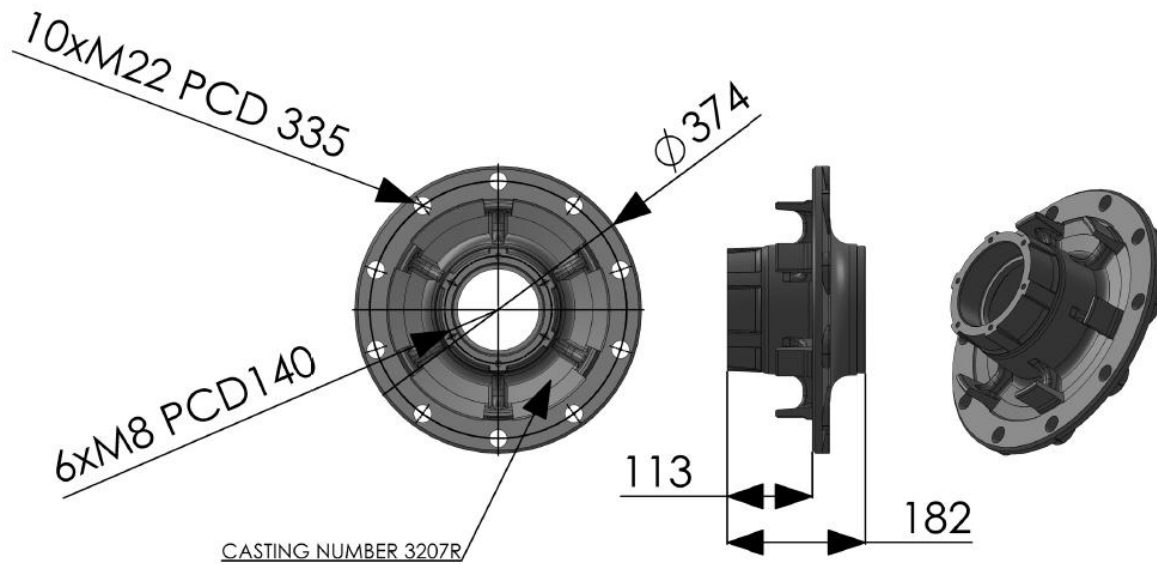
**61260F – Inner bearing and cone**



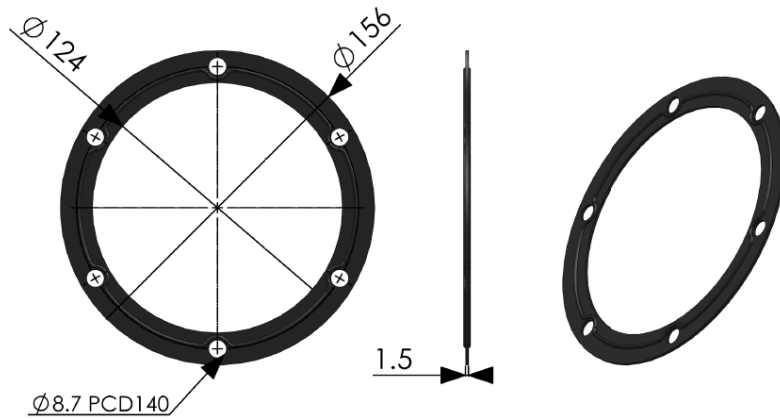
**61270F – Outer bearing and cone**



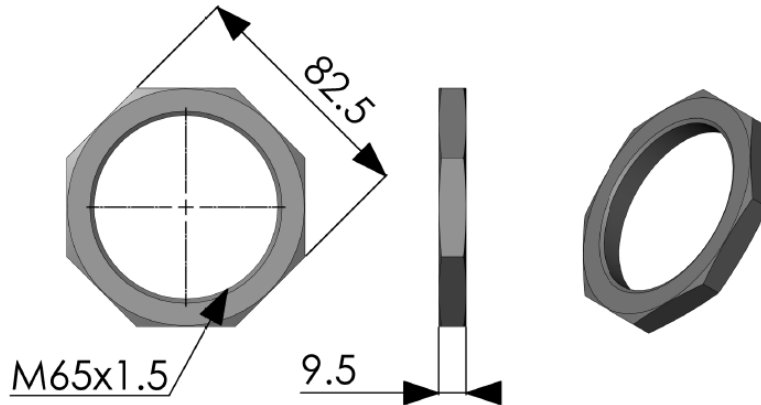
**61253F – Hub**



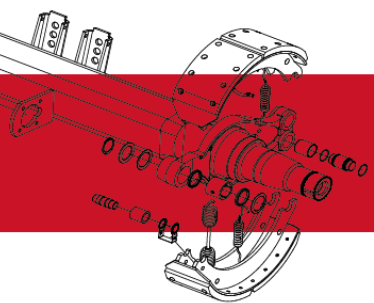
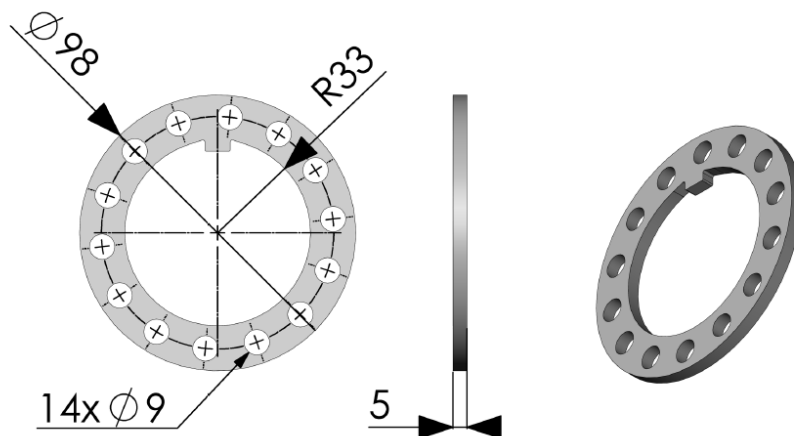
**61330F – Gasket**



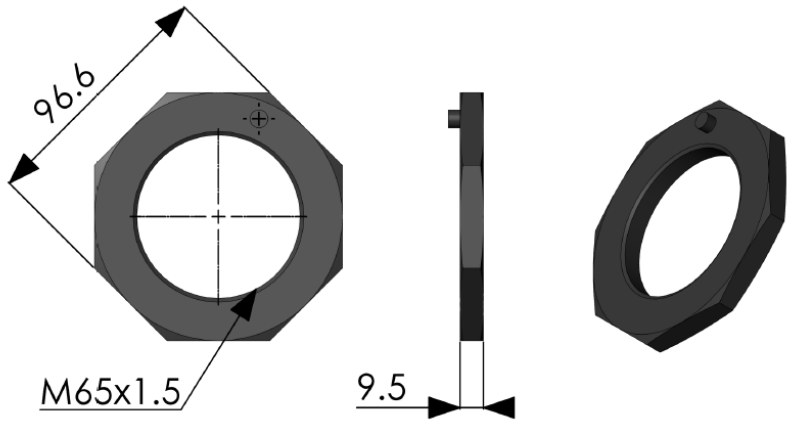
**61310 – Locknut**



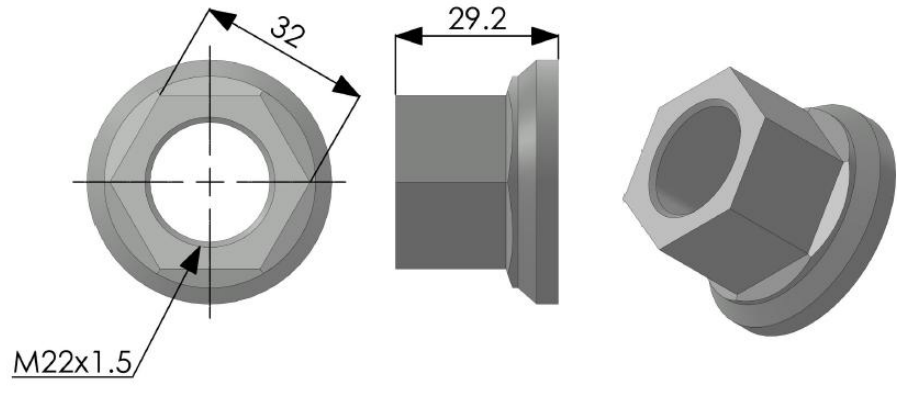
**61300 – Lock Washer**



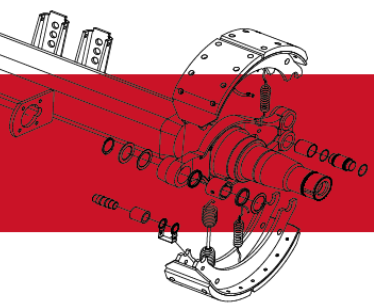
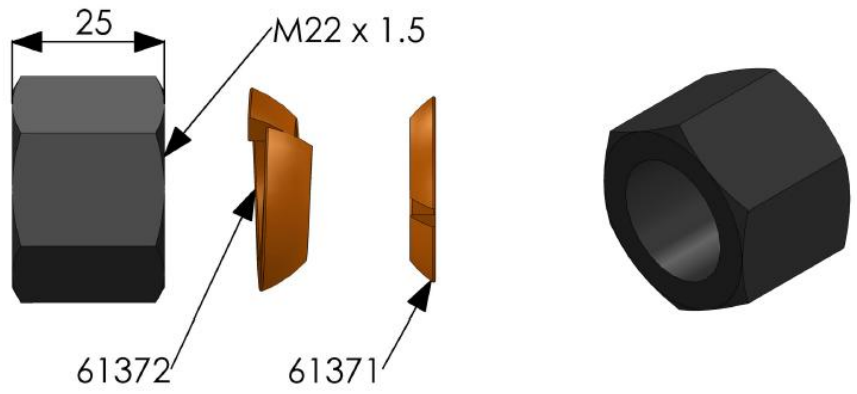
**61290 – Adjusting Nut**



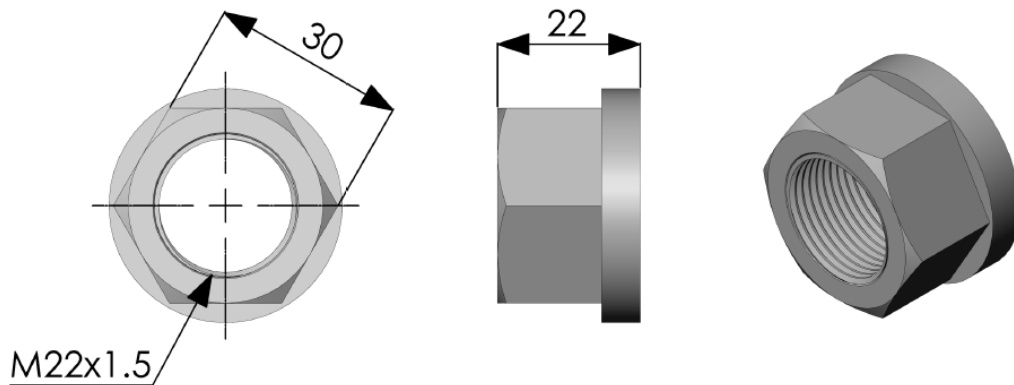
**61381 – M22 ISO Wheel Nut**



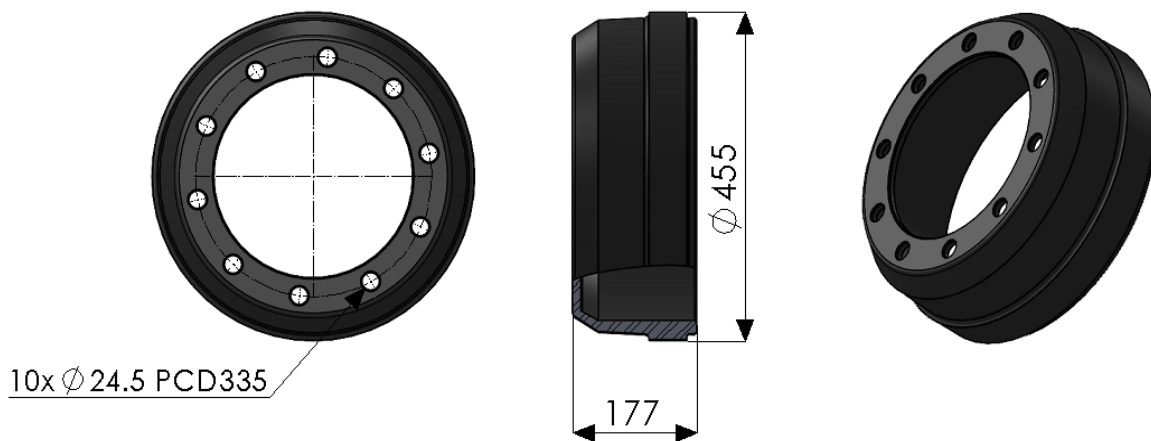
**61383 – M22 DIN Wheel Nut + Washers (61372 & 61371)**



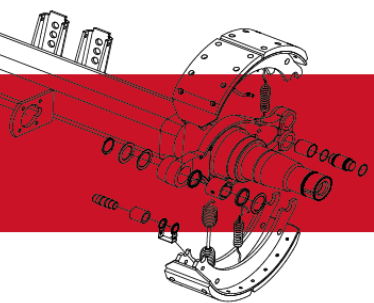
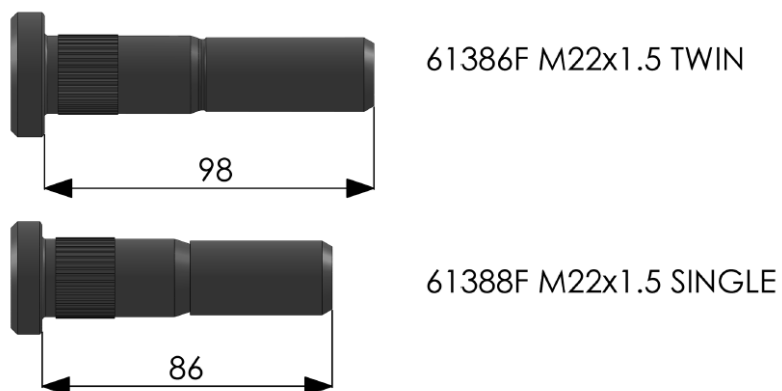
## 61411 – M22 DIN Wheel Nut



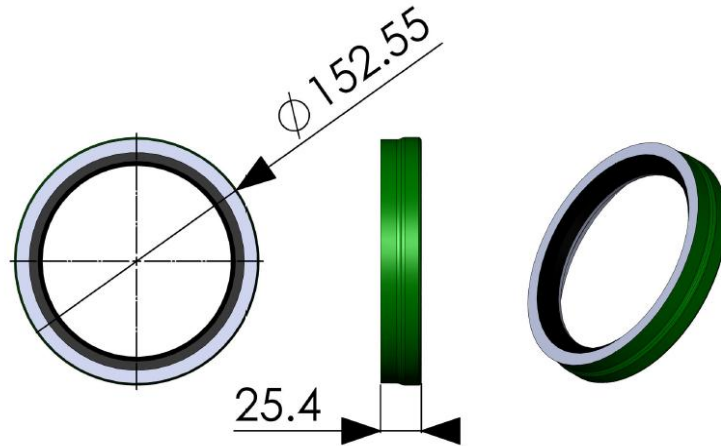
## 61550F – Brake Drum



## Wheel Bolt

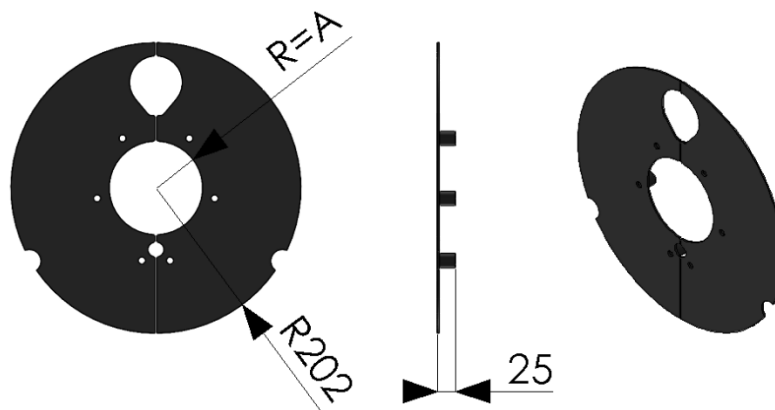


**61282F – Unitised Grease Seal**

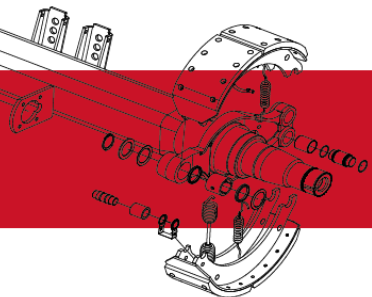
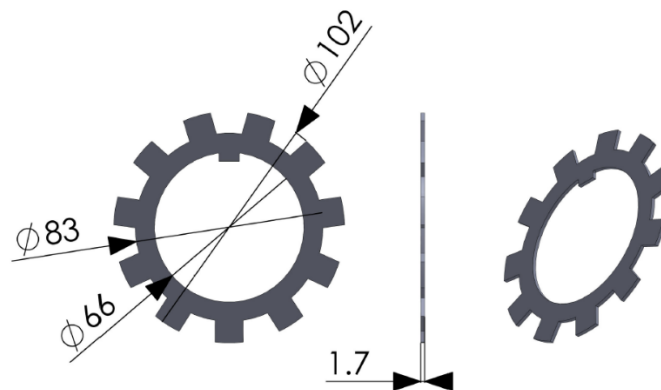


**Dust Cover**

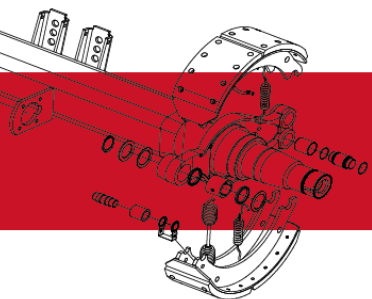
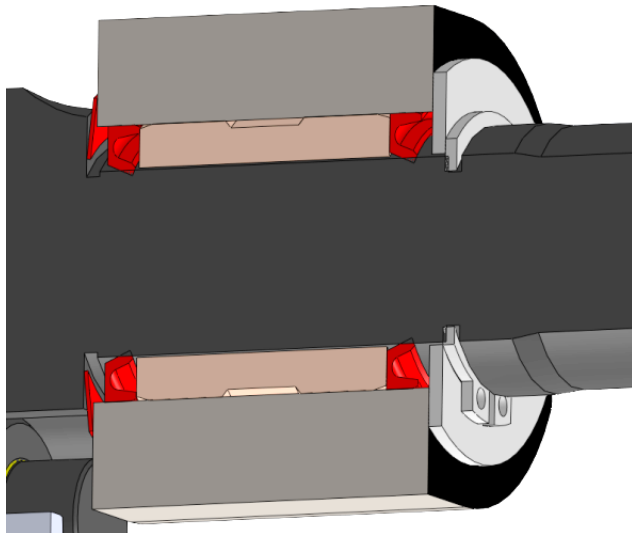
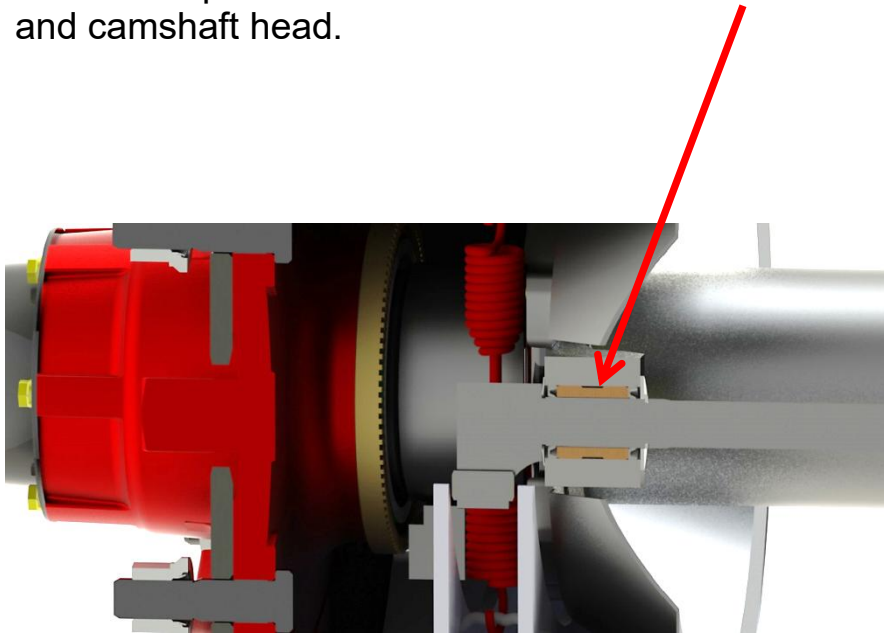
**61399 A=65mm (Round Beam) 61396 A=62mm (Square Beam)**



**61311 – Tab Washer**



The direction of the grease seals in the anchor bracket is important as well as the position of the beveled washer between the anchor bracket and camshaft head.



## Ordering Of Sub-Assemblies

It is possible to order sub-assemblies of parts from Granning rather than ordering individual parts.

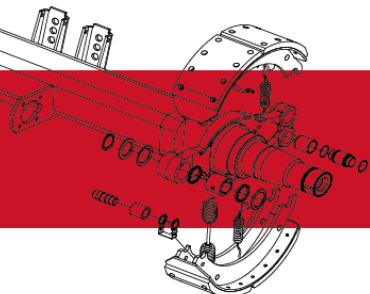


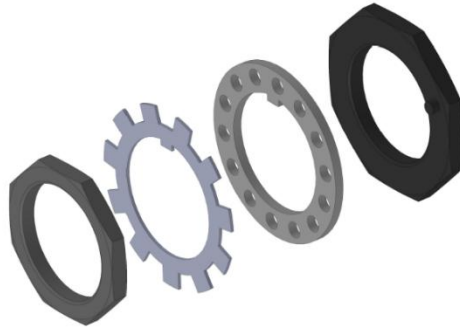
**61287F – Single Wheel Stud Hub and Drum Assembly**  
**61287FW – 61287 with 1 x 100 tooth pole wheel 61789**

Part Number	Quantity	Description
61550F	1	Drum
61253F	1	Hub
61270F	1	Outer Bearing
61260F	1	Inner Bearing
61388F	10	Single wheel stud
61381Z	10	ISO wheel nut
61282F	1	Seal

**61289F – Twin Wheel Stud Hub and Drum Assembly**  
**61289FW – 61289 with 1 x 100 tooth pole wheel 61789**

Part Number	Quantity	Description
61550F	1	Drum
61253F	1	Hub
61270F	1	Outer bearing
61260F	1	Inner bearing
61386F	10	Twin wheel stud
61381Z	10	ISO wheel nut
61282F	1	Seal





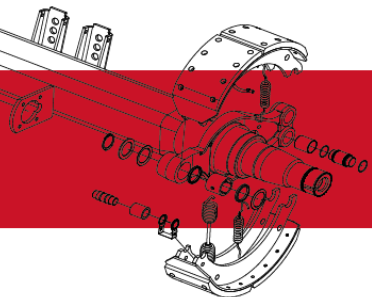
### AK100 – Spindle Nut Kit

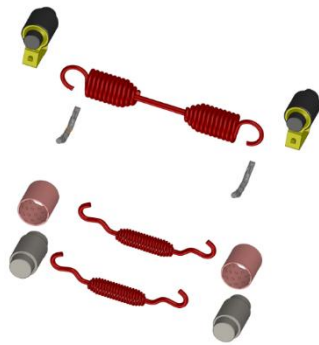
Part Number	Quantity	Description
61310	1	Locknut
61311	1	Tab Washer
61300	1	Lock Washer
61290	1	Adjusting Washer



### AK102 – Hubcap Kit

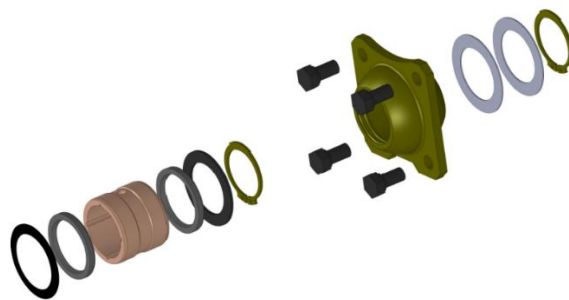
Part Number	Quantity	Description
61322F	1	Hubcap
61330F	1	Hubcap Gasket
96366F	12	M8 Serrated Washer
61358F	12	Screw M8x16 Fl. Head





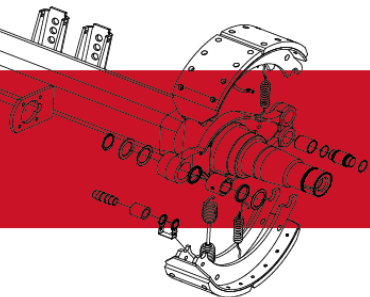
**AK300 – Brake Shoe Kit (one side of axle)**

Part Number	Quantity	Description
61140	1	Return spring
61141	2	Brake shoe retaining spring
61150	2	Spring anchor bar
61235	2	One Piece Cam roller
61220	2	Retainer cam roller
61200B	2	Bush anchor pin
61171	2	Anchor pin



**AK200 – Camshaft Bush Kit (one side of axle)**

Part Number	Quantity	Description
61080F	1	Spherical bearing
61055	1	Camshaft sintered bush
61056	2	Camshaft grease seal
61057	1	Beveled camshaft washer
61058	1	Camshaft washer
61120	2	Camshaft circlip
96365F	2	Camshaft support washer
61359	4	M8 Hex Bolt
96363F	4	Serrated Washer
96364F	4	Spring Washer





**AK401 – ABS Kit (one side of axle)**

Part Number	Quantity	Description
61789	1	Pole Wheel (100 tooth)
61376F	1	Sensor Block
61786	1	90 Degree ABS Lead
61557	1	Dust Cover Grommet

We reserve the right to make changes to specifications or to make improvements to the products in this catalogue without prior notice. We are not responsible for inaccuracies or omissions.

